



Thank you for your purchase!

To get the most out of your MotoFlakMount (MFM) take a quick look at the following information!

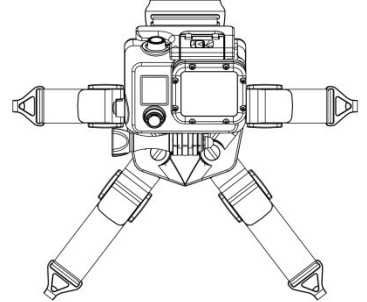
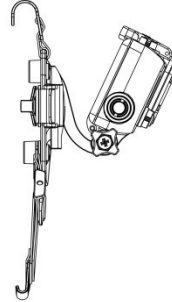
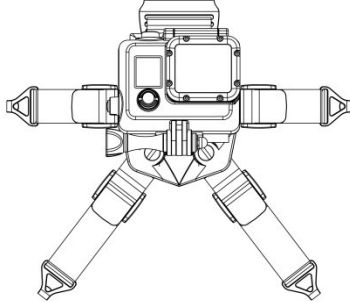
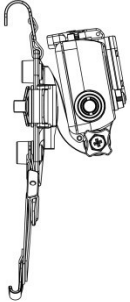
Quick Installation Instructions:

- 1) **Snap your GoPro J-Hook adapter into the MFM as shown on page 2**, according to your particular mounting application (Hero 3 and Hero 2 mounting is different).
- 2) **Position the Upper Hook** so that it engages the neck relief or plastic plate on your chest protector.
- 3) **Engage lower hooks** & cinch the straps thru the buckles; lower straps should have a reasonable angle between them for both good lateral stability & a good down pull on the upper hook.
- 4) **Engage the side hooks** & cinch the straps thru the buckles. Ideally, if the side hooks should slide, they should tighten the straps, not loosen; **side strap removal is recommended** for some applications (E.g. Thor Sentinel front mounting). See website for more details.
- 5) **Check your MFM installation with a good wiggle and install your GoPro as shown on page 2 with your long Thumbscrew**. Make sure your buckles are fully locked.
- 6) Time to ride and adjust your camera angle for your riding style and gear!

See MotoFlakMount.com for more detailed information including our Tech Tips.

The following diagrams show recommended approx. model specific positioning (will vary with riding style & chest protector).

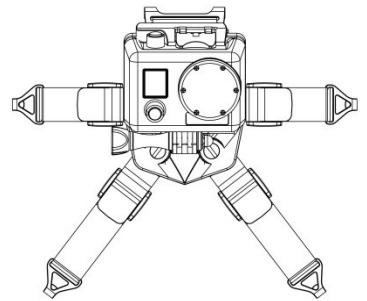
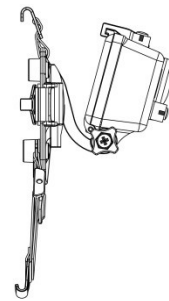
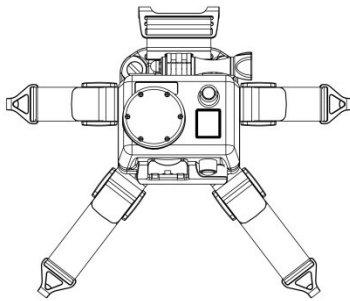
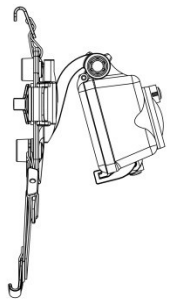
Hero3 Camera Positioning:



Front Mounting

Rear Mounting

Hero2 Camera Positioning (shown w/ optional upper hook):



Front Mount

Rear Mounting

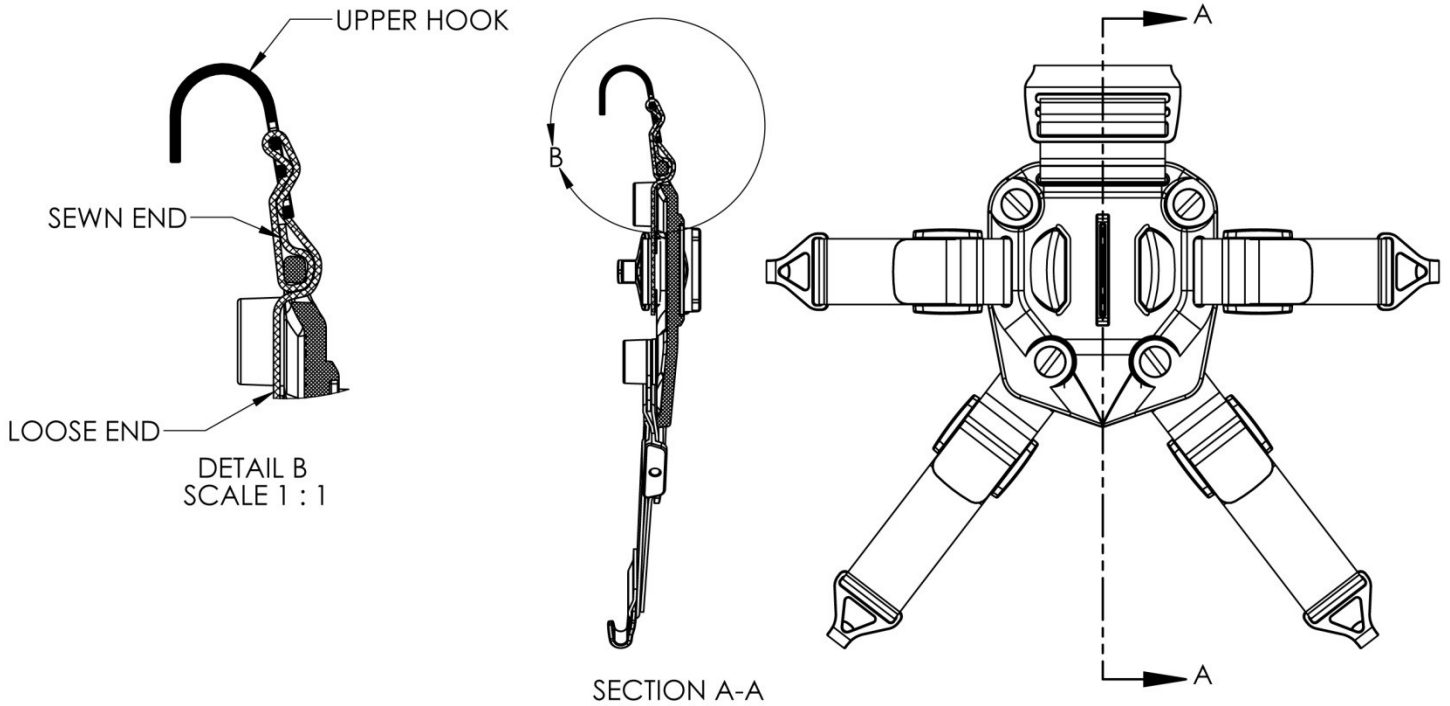
(Note J-Hook position & GoPro in “Upside-Down” Mode)

Quick Tips:

- 1) Angle your GoPro to compensate for your “attack position” or the position that you’re mostly in. **The most common mistake is to angle the camera too low!**
- 2) **Use Wide FOV (field of view) setting on your GoPro.**
- 3) If **J-Hook removal** is necessary, **use both thumbs to push** tabs inward and out of the MFM. **Fit is engineered to be tight to prevent rattling over rough terrain at speed.**
- 4) Hero 2 must be put into upside-down mode for front mounting (see your GoPro Manual or website).
- 5) Make sure thumbscrew is tight, especially when front mounting the Hero 2, to prevent camera position drift.

The following Strap Routing diagram is useful when swapping the Universal Upper Hook with the Optional Upper Hook.

UPPER HOOK STRAP ROUTING DIAGRAM



If you have any **problems or questions**, please contact us at Service@MotoFlakMount.com and we will take care of you.

We hope you enjoy your purchase!

MOTOFLAK MOUNT™

MOTO. From Your Point of View.™

Patent Pending. All rights Reserved. Copyright © 2013 Orion Innovations, LLC